

DMX512 Controller



Model: EC-DMX 200A (Primary CSS-512)

General Introduction

EC-DMX 200A is a full-color LED control system, it comprises of scene-edit software and LED controller. It is very suitable for architecture decoration, PUB or stage decoration. With scene-edit software, designer can design the lighting effect conveniently and quickly, then load the effect to controller, the lights will change as programmed in the software. This control system can fulfill 256 grey levels for each R, G, B color, totally 16.77 million, real full-color.

Product Features

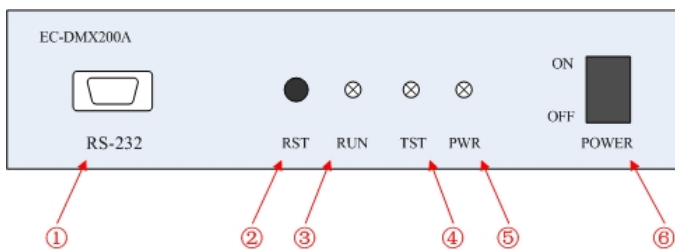
- ◆ Meets DMX512(1990) protocols
- ◆ Friendly user interface
- ◆ 256 levels of grey, totally 16.77 million colors, really full color
- ◆ Can update the varied changing effects instantly
- ◆ Plenty of color changing mode
- ◆ Support multi-zone display
- ◆ Support the edit and browse of the picture(*.bmp)
- ◆ Excellent performance on expandability, compatibility and stretch.
- ◆ Easy wiring and installation. Plug and Play.
- ◆ Anti-jamming and auto-resumption.

Technical Parameter

Input Voltage	85~265V AC
Power Consumption	<25W
Memory	64KB
Output Channel	1 port
Transmission interface	DMX512
Transmission Speed	250KHz
Pixels	1 ~ 127 sets
Lamp type controlled	Wall washing light, Tube light, Cube light, Underground/underwater light
Control Mode	Asynchronous full-color control
Description	Flash, fade, and picture, character, video.

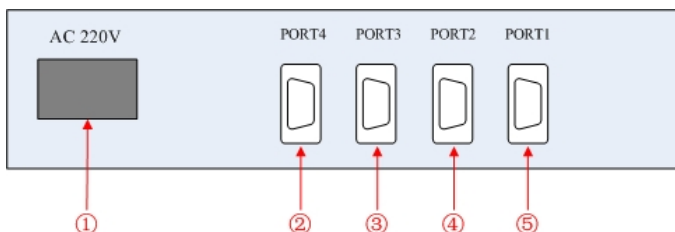
Warning: Do not attempt to repair or modify the equipment to prevent from electric shock and personal injuries. Please contact your local dealer for any repair service

EC-DMX 200A Front Panel Instruction



- ①: Console interface
- ②: Reset button
- ③: Running indicator light
- ④: Download indicator light
- ⑤: Power indicator light
- ⑥: Power switch

EC-DMX 200A Back Panel Instruction



- ①: AC220V input interface
- ②~⑤: Interface for signal out
(Only the port 1 is available for EC-DMX 200A)

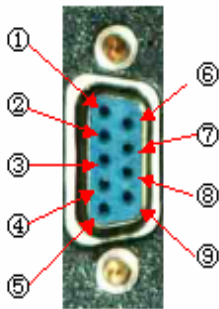
Note: Input power supply is main voltage, please operate with caution!
Please do not operate the console interface and output interface when power is on.

User Manual

- ◆ Open the carton and check the contents.
You should find the follow parts in the carton: 1X EC-DMX 200A controller, 1X product specification, Included accessories - 1X USB-RS232 connecting wire, 1X 3-core wire for power supply, and a CD-Rom disk of programming software.
- ◆ The connection of the main power
This device adopts single-phase alternating voltage as power supply. Input voltage is 220 VAC.
- ◆ The connection of the load loop
Please read signal wire instruction.

Output interface is a female DB9 interface, so the back-end device (driver or repeater) should take male DB9 as interface.

Pin Configuration:



①: GND	②: D+	③: D-	④: NC
⑤: NC	⑥: NC	⑦: NC	⑧: NC
⑨: NC			

Panel operation

1. Operation of power supply interface
The power supply of this equipment is AC85-264V, use normal 3-core wire, includes one grounding wire.

Note: Please connect the grounding wire to prevent any accident or damage to the equipment.

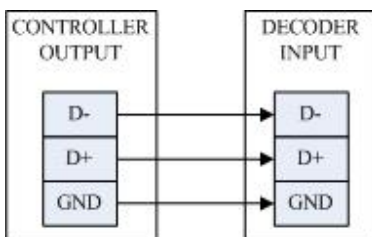
2. Operation of console interface
The console interface is used to download the updated program, or to run some other settings.

User Operation:

- ① Connect the RS232 port of the USB-RS232 connecting wire to the port of the controller (make sure that the power is off), another end of the RS232 wire to the USB port of the PC
- ② Open the software, choose the right port and link to controller. If does not work, please check the connection and try again.
- ③ Operate in the software.
- ④ Close the software, remove the USB port, then turn off the power of the controller and remove the connecting wire.

3. Operation for output port

This controller is compatible with DMX512(1990) decoder equipment produced by different manufactures. Pay attention to the wiring: Make sure the power of the controller is off, then connect the input port of DMX decoder (DB9 male port) to the appointed output port of EC-DMX 200A. Make sure every pin of input and output is corresponding to the correct position.



4. Instructions for the indicator light

Indicator light for power on-off:

If no light, please check:

- ① The connection of power wire is correct or not. (Turn of power before performing inspection)
- ② The switch of the power is on or not.

Running indicator light: When you use controller to operate the lamp, this indicator should be lighted.

If the light is not on, please check:

- ① The power works well or not.
- ② Is it on the running mode or not.

Download indicator light: When downloading the program, this indicator light should be blinking. Otherwise it will be no light.

If not light, please check:

- ① The power works well or not.
- ② Is it downloading at that moment or not.

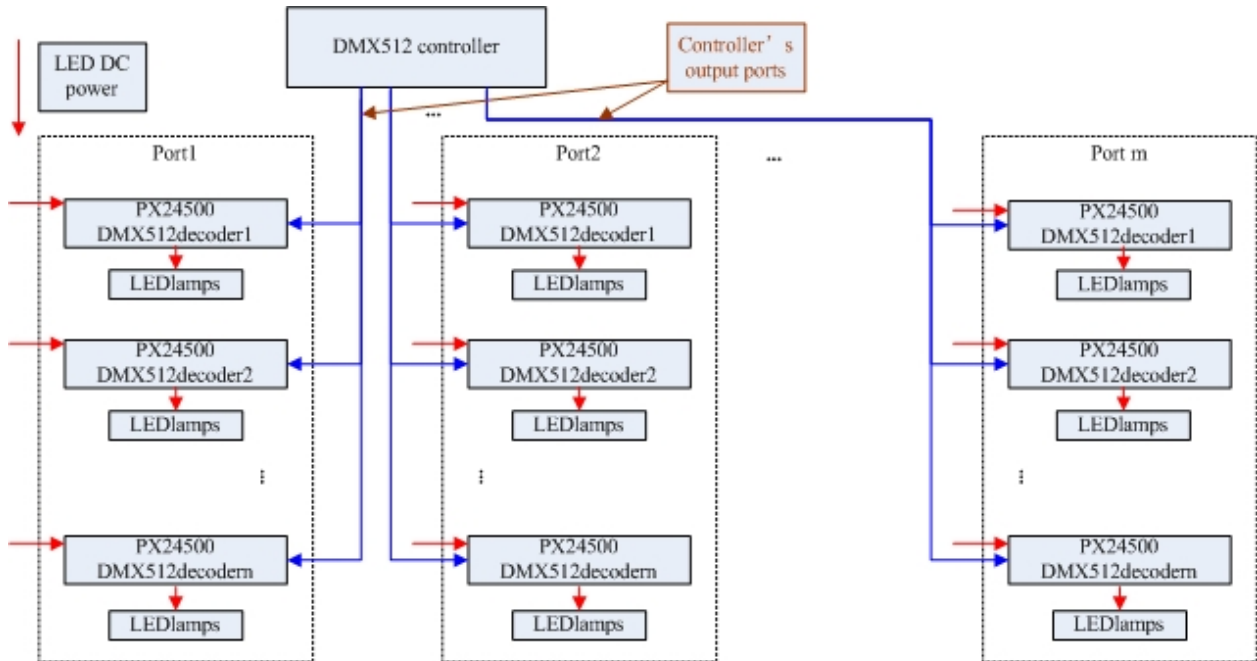
If not in the process of downloading, but the light is on, please try to do the following operations:

- ① Turn off the power, then turn on again.
- ② Use the software to reset the controller.

5. Operation of reset button.

If you want to reset the controller to default factory setting or the controller stopped working, you can press the reset button to restart it.

Appendix: EC-DMX series connection diagram.



Notes:
 1.m is the amount of controller output port
 2.n is the max. amount of terminals for each port
 The upwards is according to controller

LIMITED WARRANTY

Manufacturer warrants to the Purchaser that each Product manufactured and sold by it will be free from defects in material and workmanship in its intended use (normal wear and tear excepted) for the period of one year from date of Purchaser's purchase (the invoice date) from Manufacturer. Manufacturer's warranty flows only to Purchaser. If any Product covered by this warranty is returned by Purchaser in accordance with Manufacturer's Products Return Policy, including without limitation its return authorization provisions, within the applicable warranty period set forth above, and upon examination Manufacturer determines to its satisfaction that such Product was defective in material or workmanship at the time of delivery to the Purchaser, Manufacturer will, at its option, repair or replace the Product or the defective part thereof, or reimburse Purchaser for the purchase price. For purposes of clarity, "repair or replace the Product or the defective part thereof" does not include any reinstallation costs or expenses. If Manufacturer chooses to replace the Product and is not able to do so because it has been discontinued or is not available, Manufacturer may replace it with a comparable product. The Products Return Policy is posted on Manufacturer's Internet web site at http://www.brilliance-led.com/En_terms_conditions.asp. The foregoing notwithstanding, Manufacturer will not be responsible for damage to any Product resulting from misuse, negligence, acts of God or accident or resulting from repairs or alterations made by any person or firm not duly authorized by Manufacturer in writing. Purchaser shall convey with each Product distributed to end users the MANUFACTURER'S LIMITED WARRANTY included by Manufacturer with such Product, and, if Manufacturer determines that the appropriate remedy for a defective product is refund of Purchaser's purchase price, Purchaser shall refund to the end user (or arrange for the refund to the end user of) the full purchase price paid by the end user for such defective Product.

THIRD PARTY WARRANTIES

With respect to products sold to the Purchaser by Manufacturer but not manufactured by Manufacturer, MANUFACTURER MAKES NO WARRANTY OF ANY KIND, EXPRESS OR IMPLIED, INCLUDING, WITHOUT LIMITATION, ANY WARRANTY OF MERCHANTABILITY OR FITNESS FOR A PARTICULAR PURPOSE, but will make available to the Purchaser, to the extent permitted by law and relevant contracts, the warranties of the manufacturer of the relevant product upon the Purchaser's timely written request.

NON-IMPLIED WARRANTIES

THE WARRANTIES GIVEN IN THESE TERMS ARE THE ONLY WARRANTIES GIVEN BY THE MANUFACTURER WITH RESPECT TO THE PRODUCTS AND ARE GIVEN IN LIEU OF ALL OTHER WARRANTIES, EXPRESS OR IMPLIED, INCLUDING, BUT NOT LIMITED TO, WARRANTIES OF MERCHANTABILITY, OF NON INFRINGEMENT AND OF FITNESS FOR A PARTICULAR PURPOSE. PURCHASER'S EXCLUSIVE REMEDIES, AND MANUFACTURER'S SOLE LIABILITY, FOR ANY NONCONFORMITY OR DEFECT IN ANY PRODUCT SHALL BE THOSE EXPRESSED HEREIN.

LIMITATION OF LIABILITY

An essential purpose of the limited exclusive liabilities and remedies in this Agreement is allocation of risks between Manufacturer and Purchaser, which allocation of risks is reflected in the purchase price for the Products. UNDER NO CIRCUMSTANCES SHALL MANUFACTURER'S LIABILITY ARISING OUT OF OR IN CONNECTION WITH THIS AGREEMENT OR MANUFACTURER'S PERFORMANCE OR ASSERTED FAILURE TO PERFORM HEREUNDER, IN CONTRACT, TORT (INCLUDING NEGLIGENCE) OR OTHERWISE, EXCEED THE PURCHASE PRICE OF THE PRODUCT TO WHICH SUCH LIABILITY RELATES. IN NO EVENT SHALL MANUFACTURER BE LIABLE FOR SPECIAL, INCIDENTAL OR CONSEQUENTIAL DAMAGES, INCLUDING, WITHOUT LIMITATION, DAMAGES RESULTING FROM LOSS OF USE, PROFITS, BUSINESS OR GOODWILL, WHETHER OR NOT MANUFACTURER HAS BEEN ADVISED OF THE POSSIBILITY THEREOF.